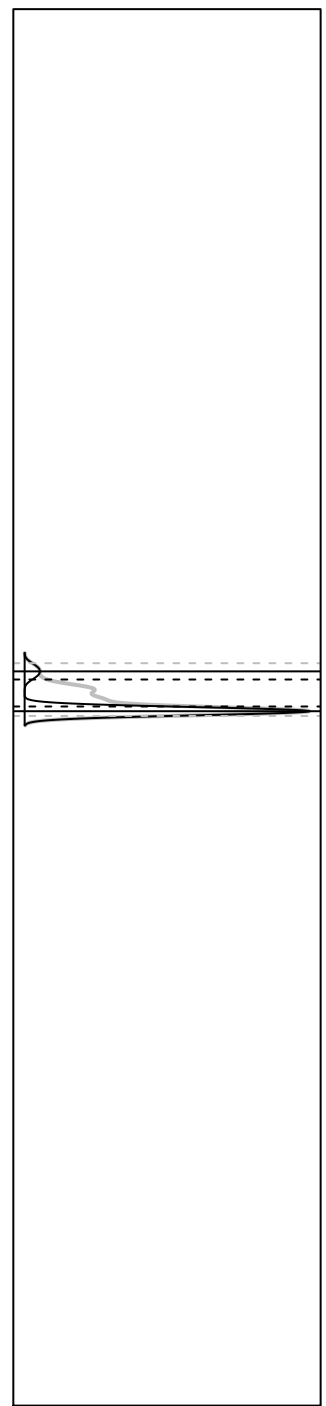
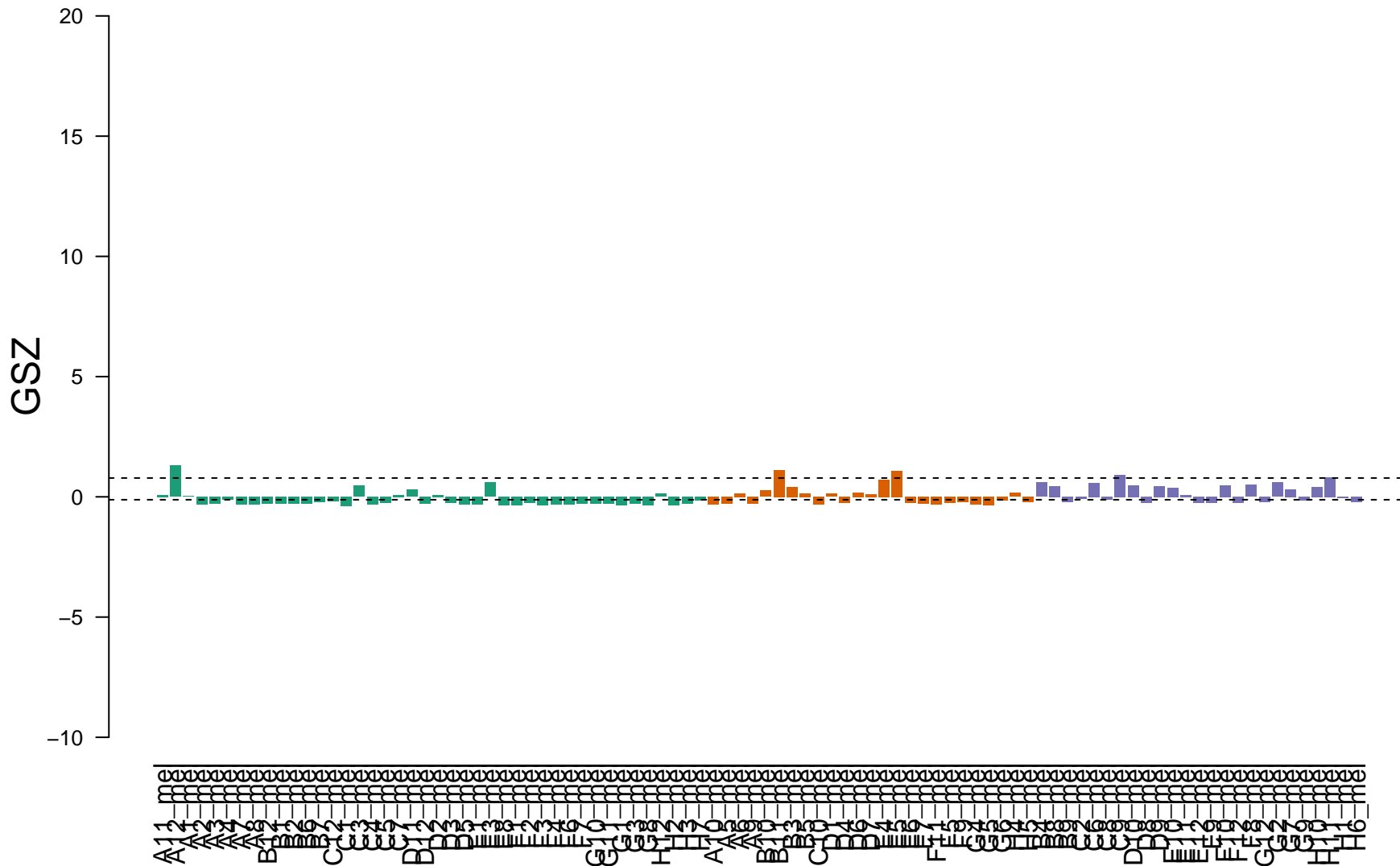


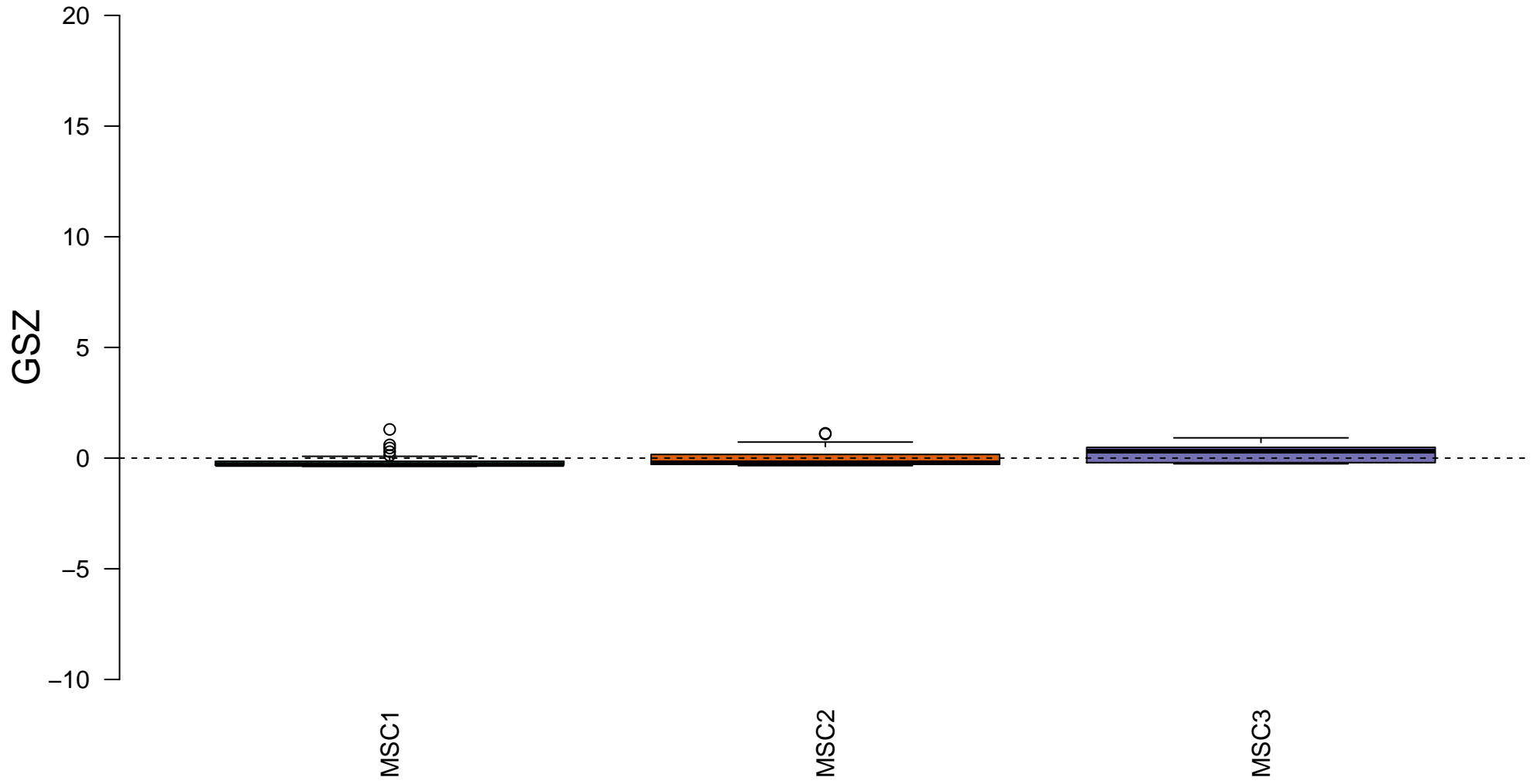
SEIKE_LUNG_CANCER_POOR_SURVIVAL



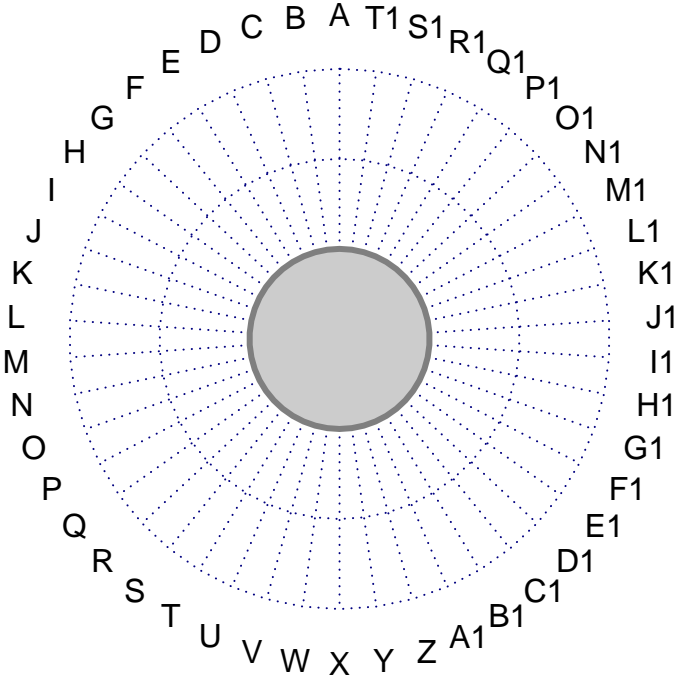
■ on
■ -
□ off



SEIKE_LUNG_CANCER_POOR_SURVIVAL



Enrichment in overexpression spots



Enrichment in kMeans clusters

